

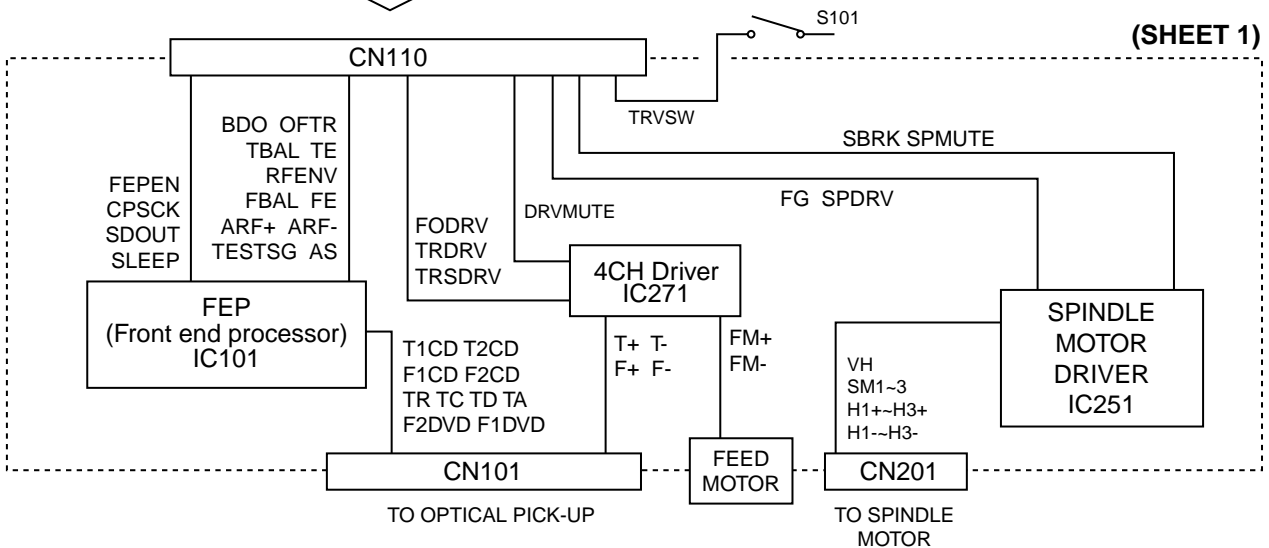
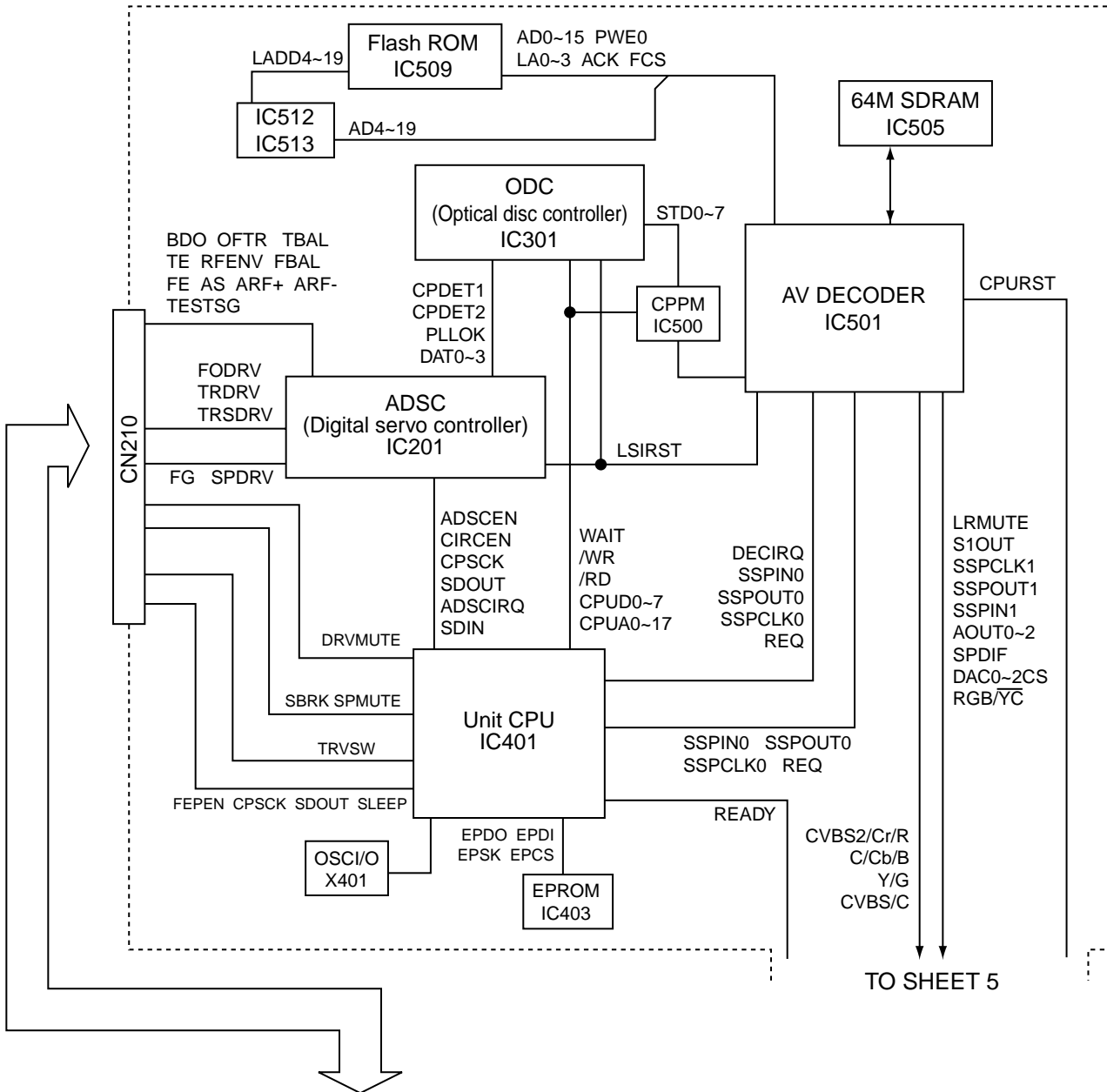
Safety precaution

In regard with component parts appearing on the silk-screen printed side (parts side) of the PWB diagrams, the parts that are printed over with black such as the resistor (■), diode (▣) and ICP (●) or identified by the "⚠" mark nearby are critical for safety. When replacing them, be sure to use the parts of the same type and rating as specified by the manufacturer. (Except the JC version)

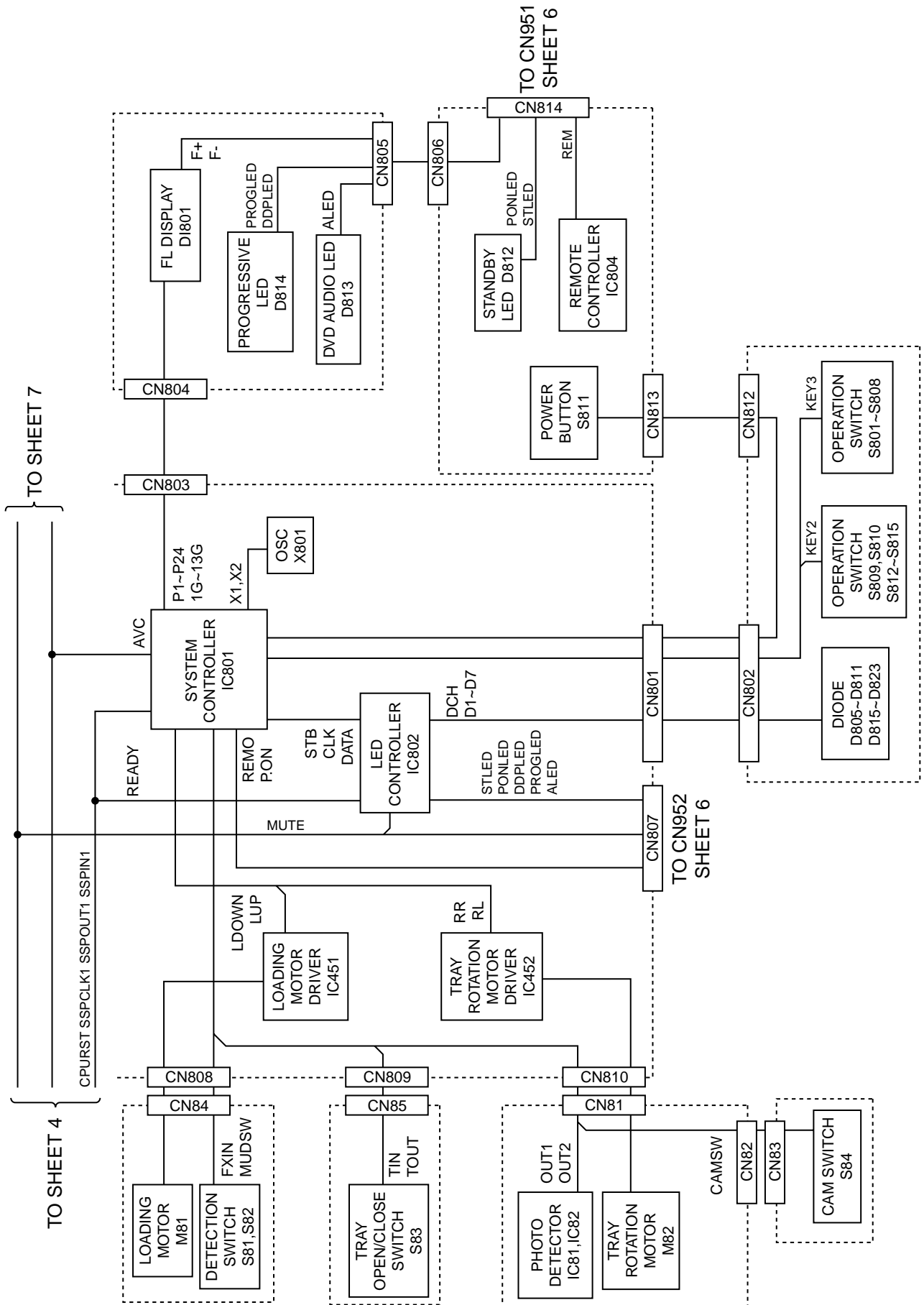
Block diagrams

■ DVD Servo control & AV decoder section (SHEET 1,2,3,4)

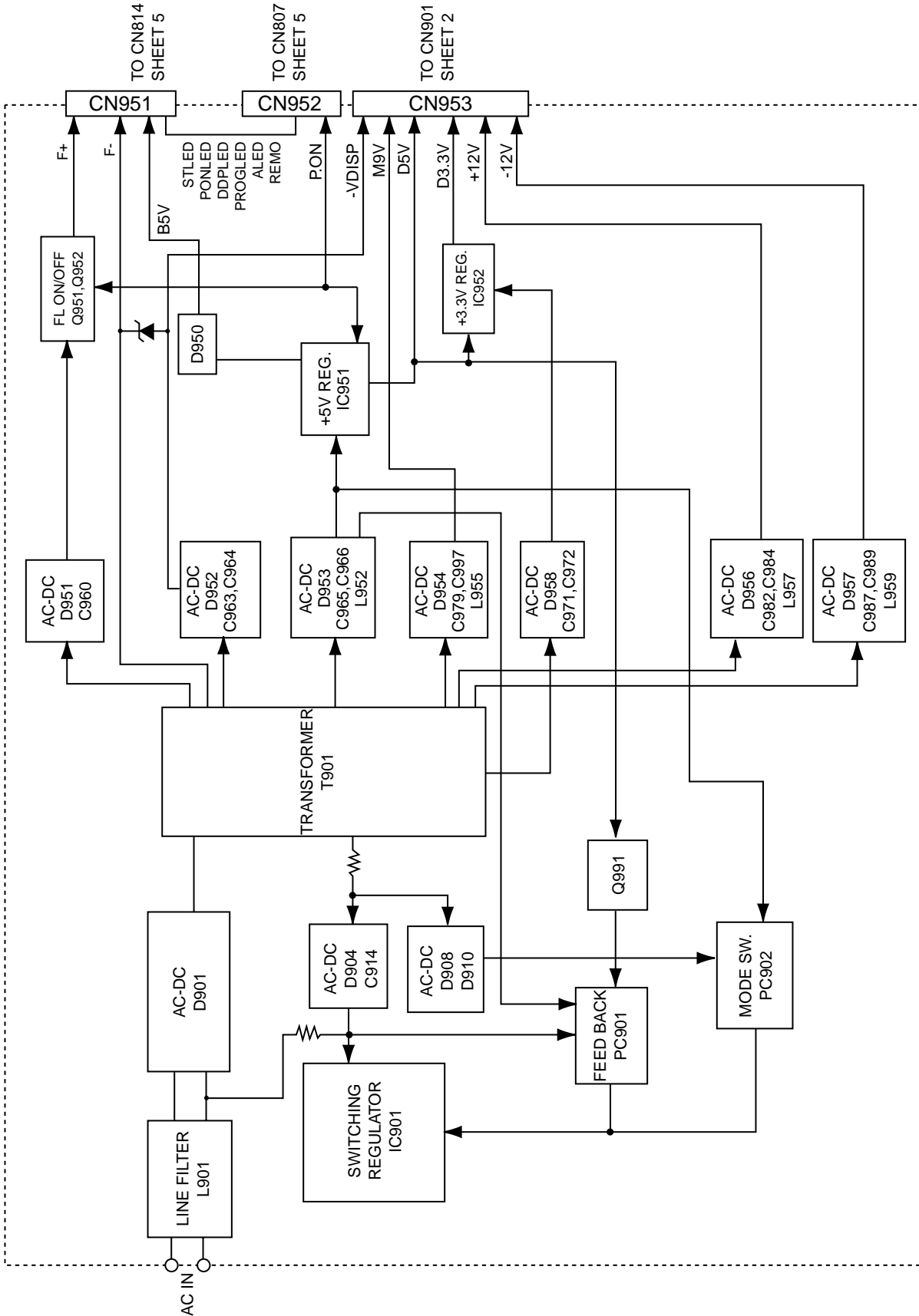
(SHEET 2,3,4)



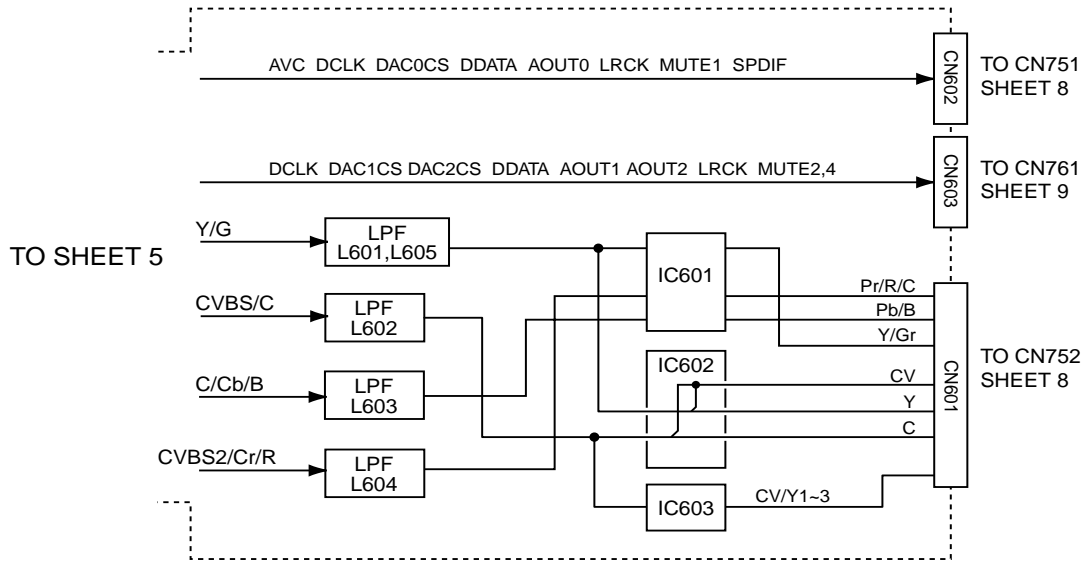
■ FL Display & system control section (SHEET 5)



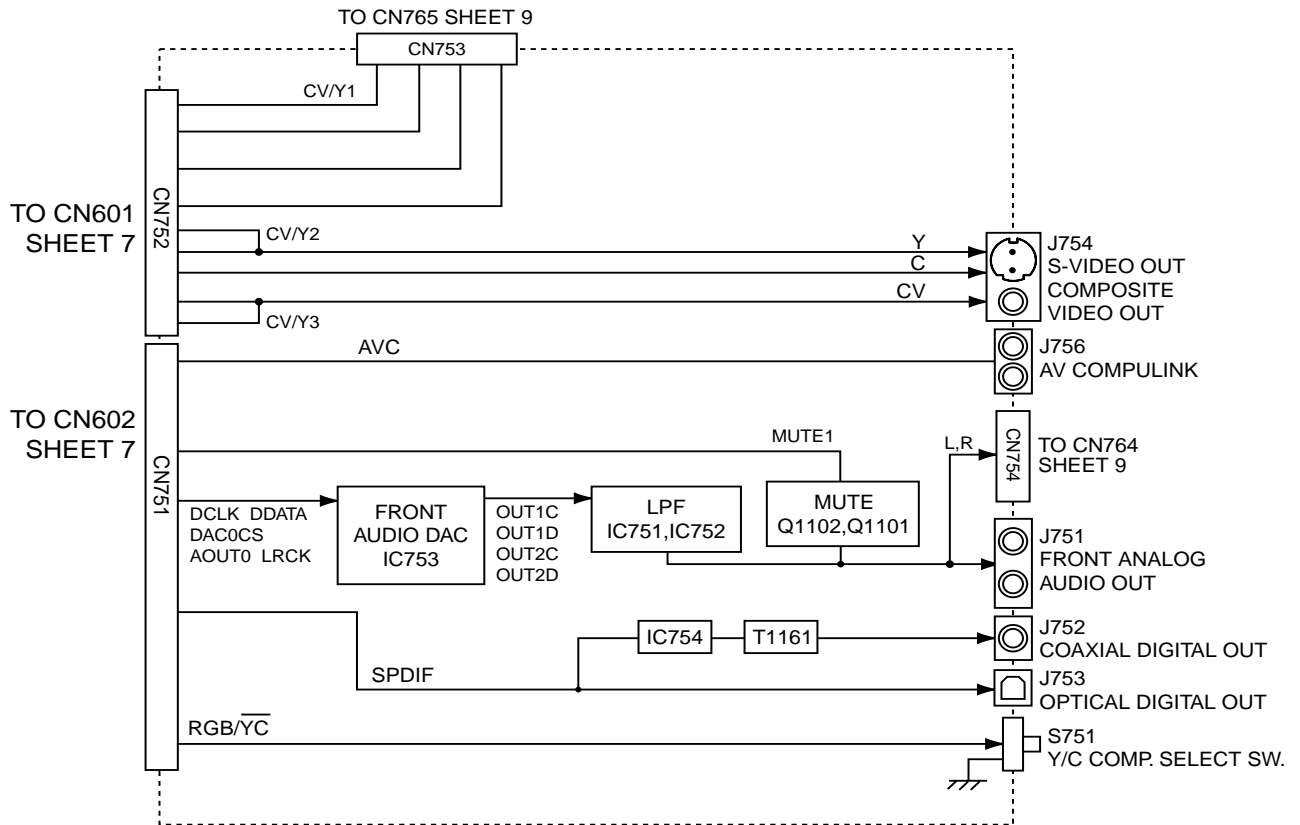
■ Power supply section (SHEET 6)



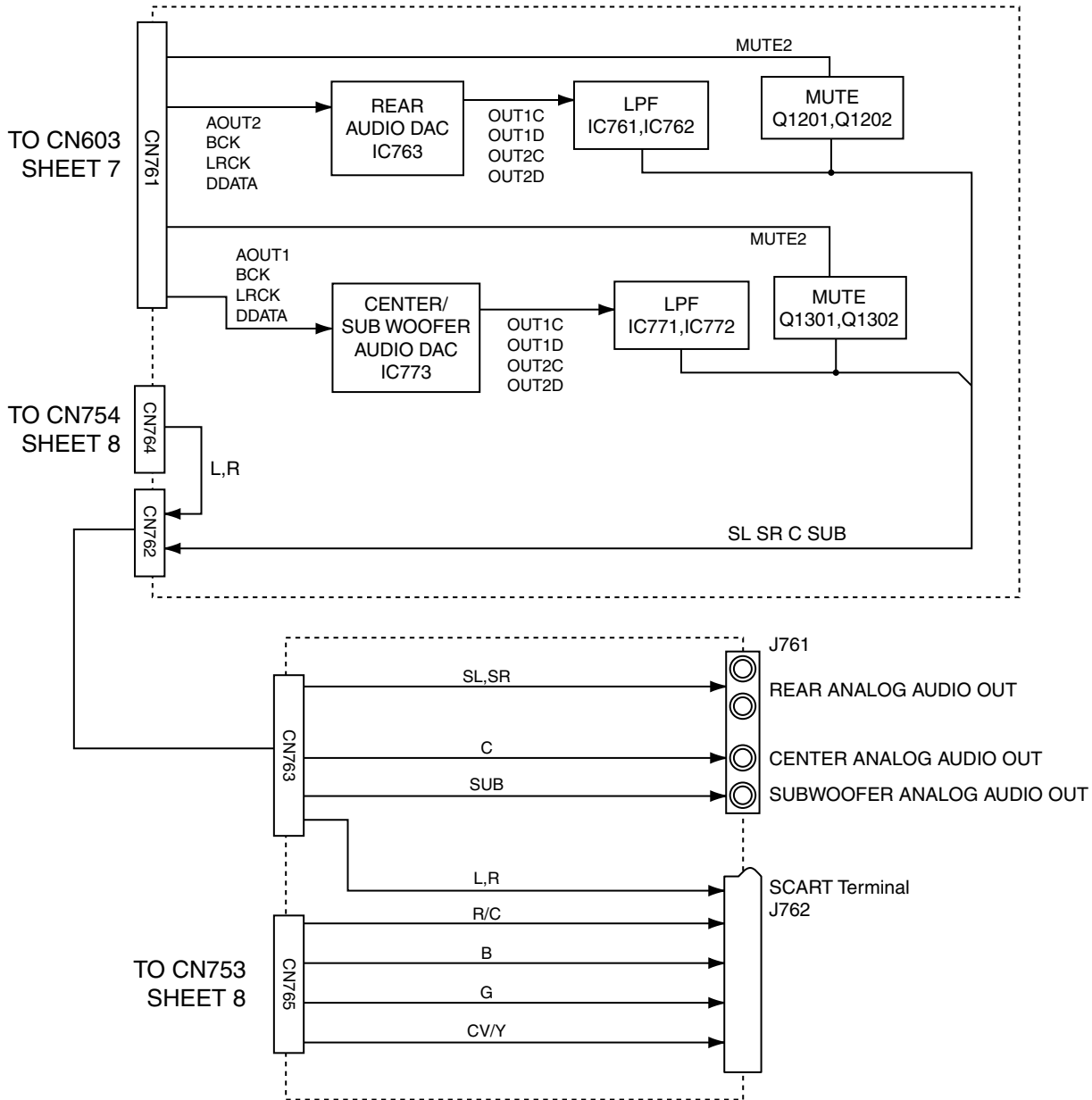
■ Video signal driver section (SHEET 7)



■ AUDIO/VIDEO Signal output section (SHEET 8)



■ Surround audio signal output section (SHEET 9)



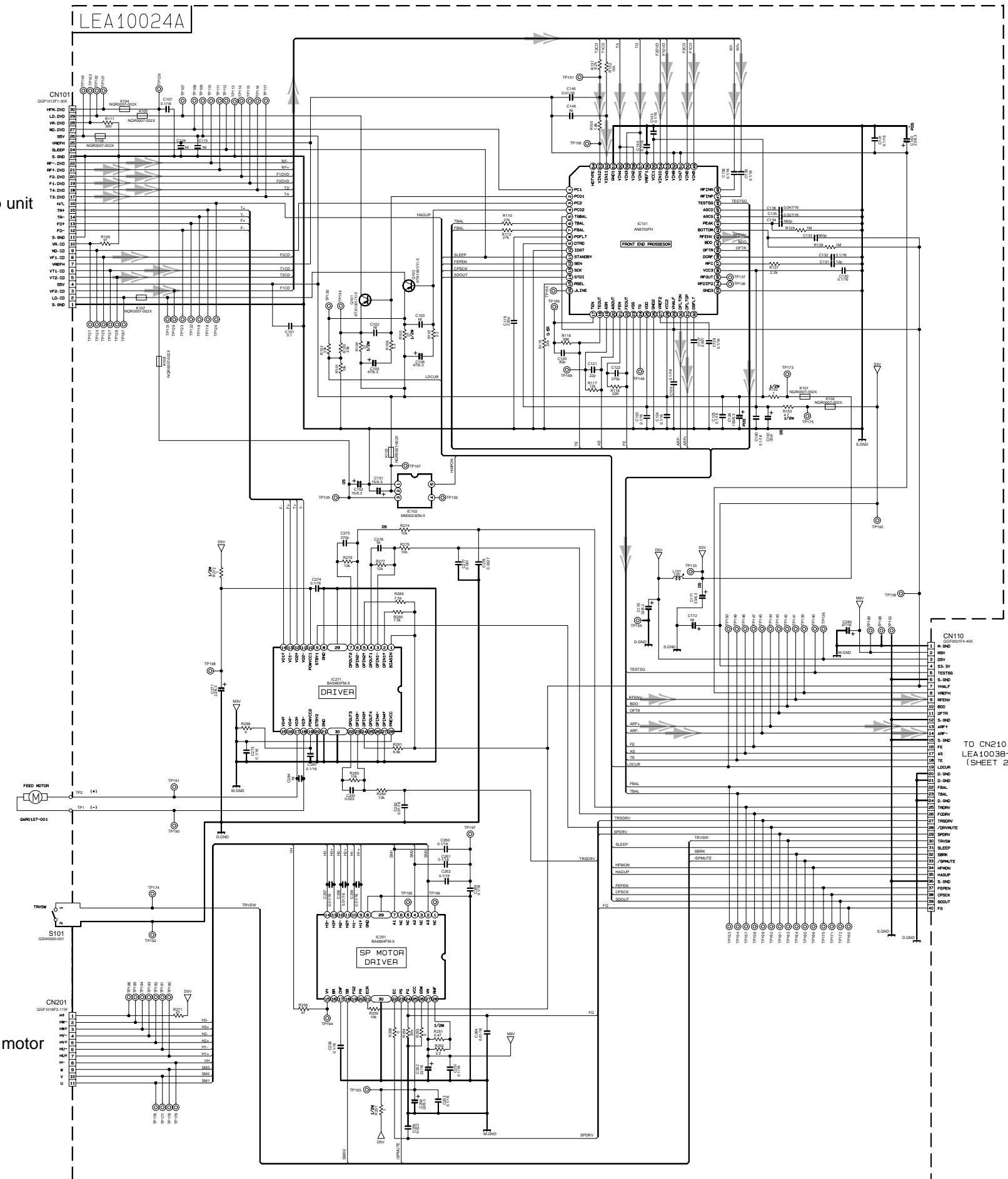
Standard schematic diagrams

■ Frontend & motor drive section

6
5
4
3
2
1

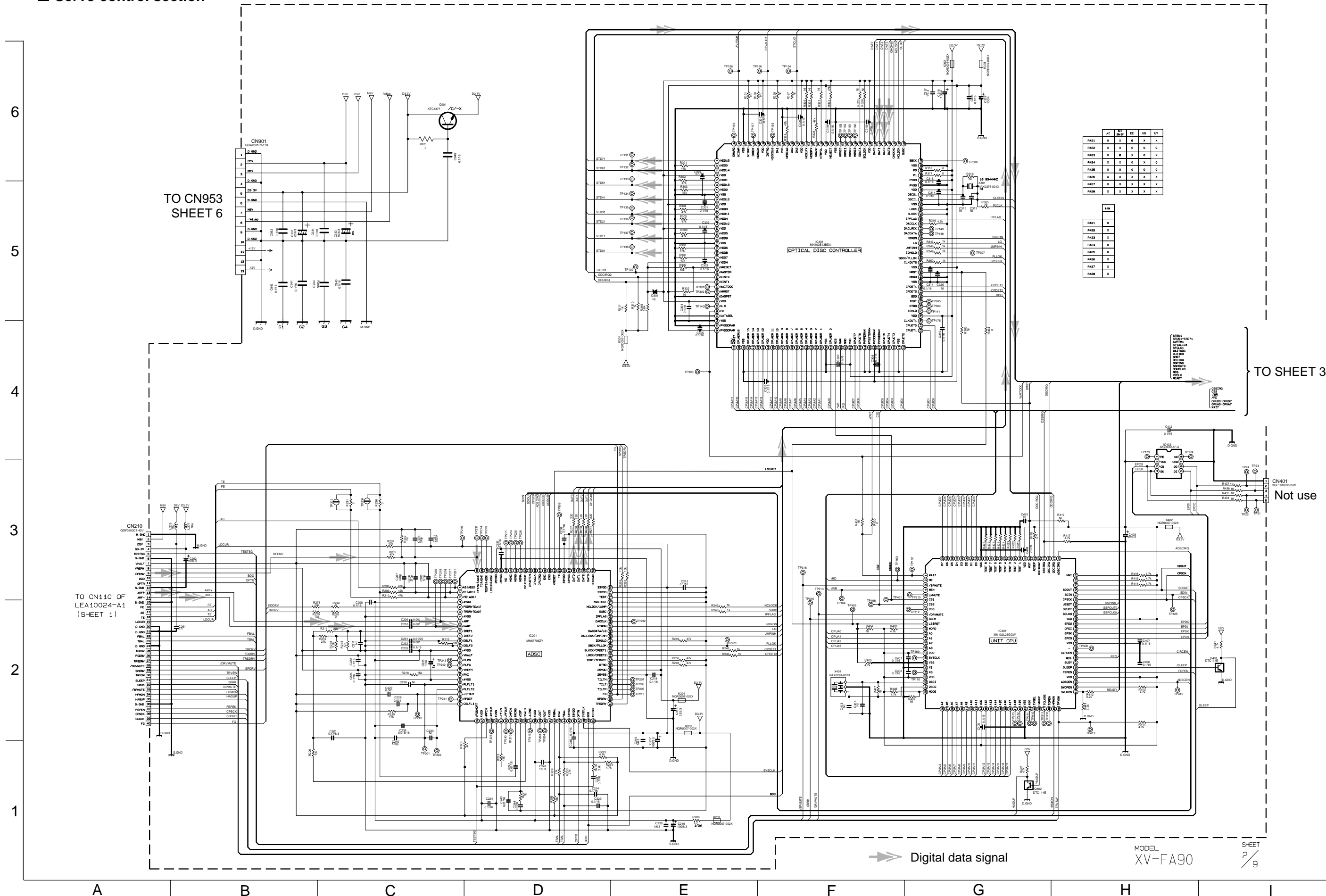
To pick up unit

To spindle motor



➡ Digital data signal

■ Servo control section



TO CN953 SHEET 6

TO CN110 OF LEA10024-A1 (SHEET 1)

TO SHEET 3

Not use

	AE	AF	AG	AH	AI
R421	0	X	0	0	X
R422	X	X	0	0	0
R423	X	0	X	0	0
R424	X	X	0	X	0
R425	0	0	0	0	0
R426	X	X	X	X	X
R427	X	X	X	X	X
R428	X	X	X	X	X

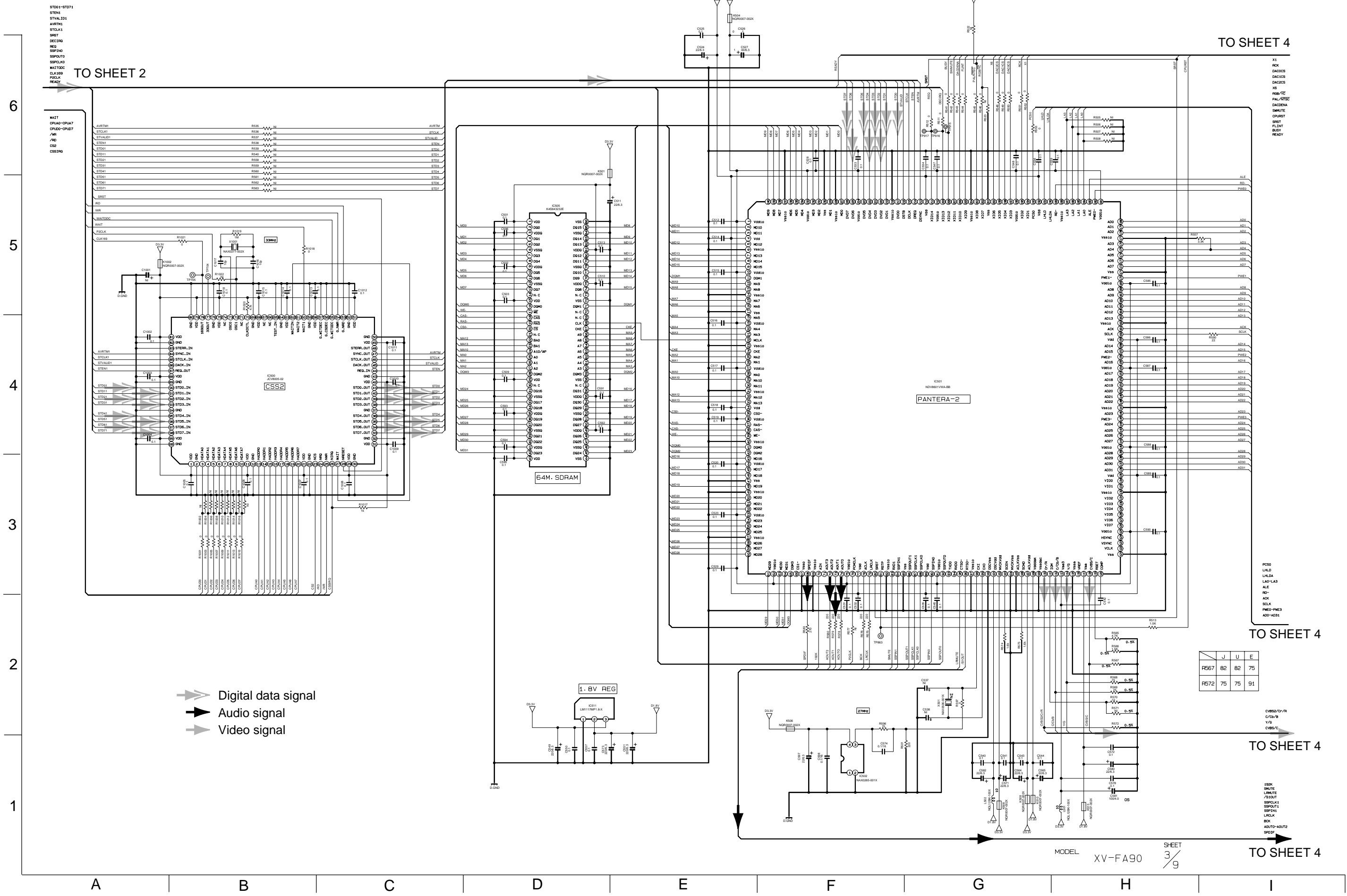
	A1W
R421	0
R422	X
R423	X
R424	0
R425	X
R426	X
R427	X
R428	X

➔ Digital data signal

MODEL XV-FA90

SHEET 2/9

AV Decoder section



ST001-ST071
ST0N1
STVALD1
AVRTM1
STCLK1
SHE1
DEC12RG
REG
SSP2N0
SSP2L0
SSPCLK0
MALT100
CLK499
PCLK
READY

TO SHEET 2

TO SHEET 4

X1
R0K
DAC00S
DAC10S
DAC20S
XS
P0B/7E
PAL/NTSC
DAC20N
SMUTE
CPURST
SHE1
PLINT
BUSY
READY

6
5
4
3
2
1

➡ Digital data signal
➡ Audio signal
➡ Video signal

	J	U	E
R567	82	82	75
R572	75	75	91

TO SHEET 4

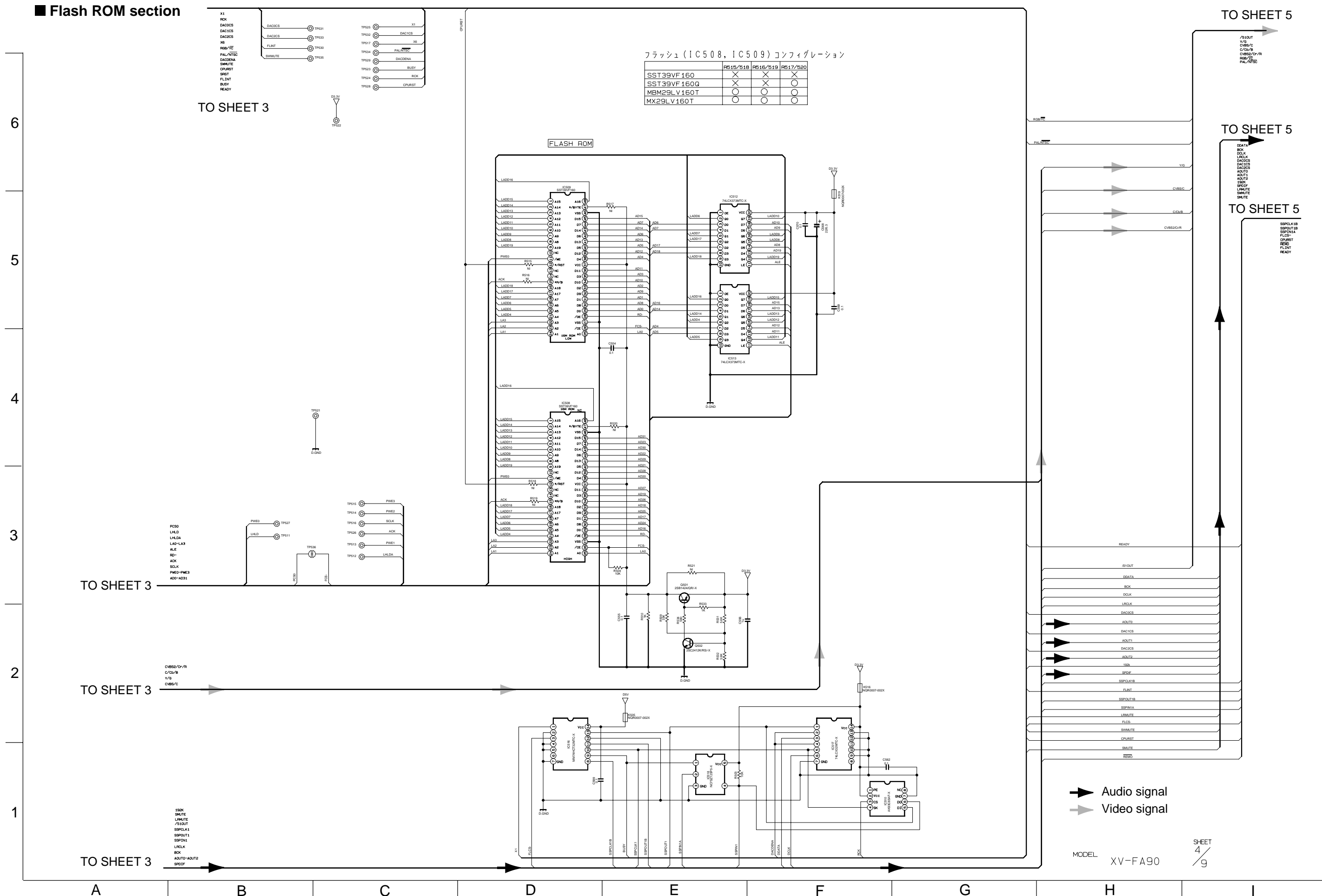
TO SHEET 4

TO SHEET 4

MODEL XV-FA90

SHEET 3/9

Flash ROM section



フラッシュ (IC508, IC509) コンフィグレーション

	R515/518	R516/519	R517/520
SST39VF160	X	X	X
SST39VF160Q	X	X	X
MBM29LV160T	O	O	O
MX29LV160T	O	O	O

TO SHEET 5

TO SHEET 5

TO SHEET 5

TO SHEET 5

TO SHEET 5

TO SHEET 5

TO SHEET 5

TO SHEET 5

TO SHEET 5

TO SHEET 5

TO SHEET 5

TO SHEET 5

TO SHEET 5

TO SHEET 5

TO SHEET 5

TO SHEET 5

TO SHEET 5

TO SHEET 5

TO SHEET 5

TO SHEET 5

TO SHEET 5

TO SHEET 5

TO SHEET 5

TO SHEET 5

TO SHEET 5

TO SHEET 5

TO SHEET 5

TO SHEET 5

TO SHEET 5

TO SHEET 5

TO SHEET 5

TO SHEET 5

TO SHEET 5

TO SHEET 5

TO SHEET 5

TO SHEET 5

TO SHEET 5

TO SHEET 5

TO SHEET 5

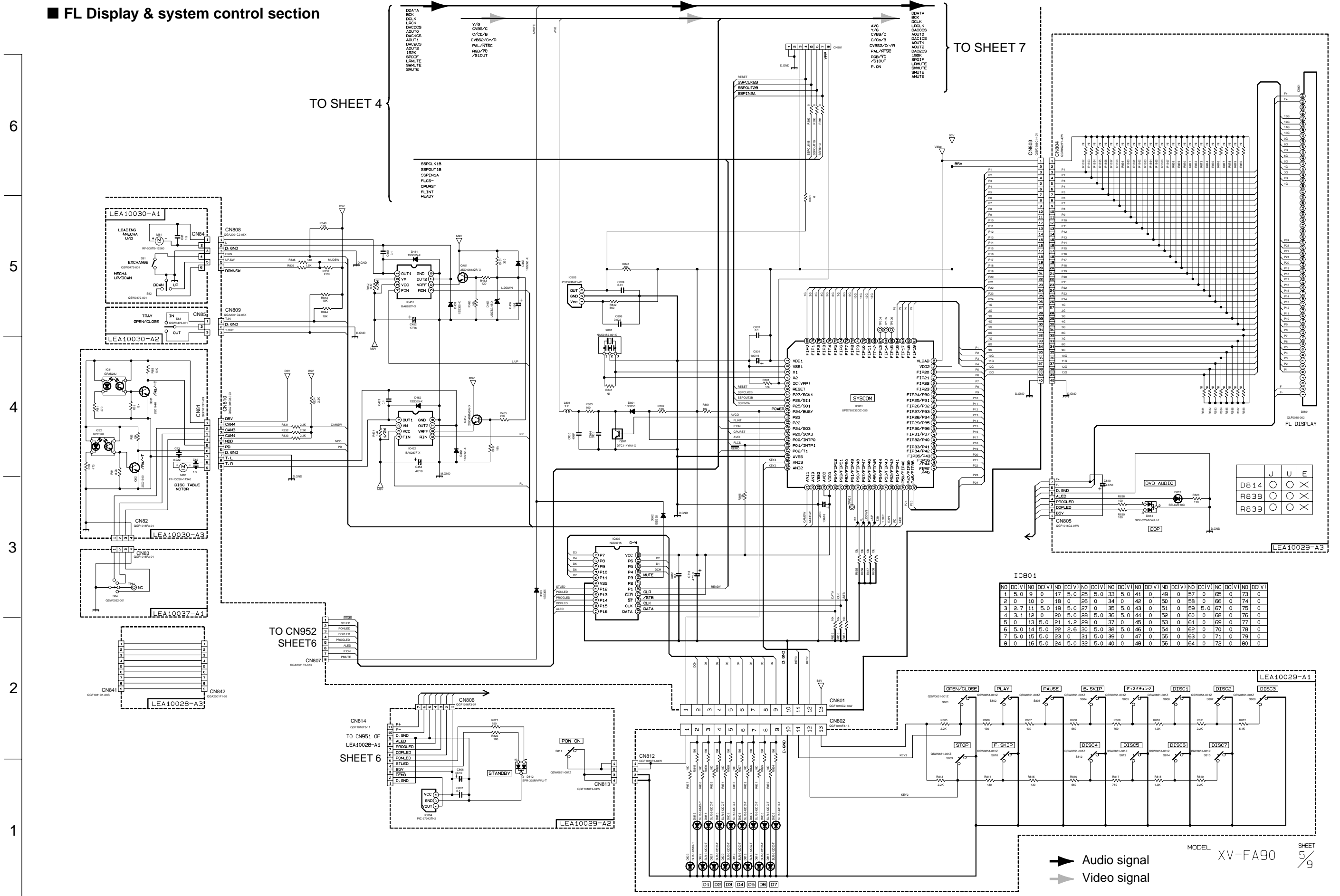
TO SHEET 5

➔ Audio signal
➤ Video signal

MODEL XV-FA90

SHEET 4/9

FL Display & system control section



TO SHEET 4

TO SHEET 7

TO CN952 SHEET 6

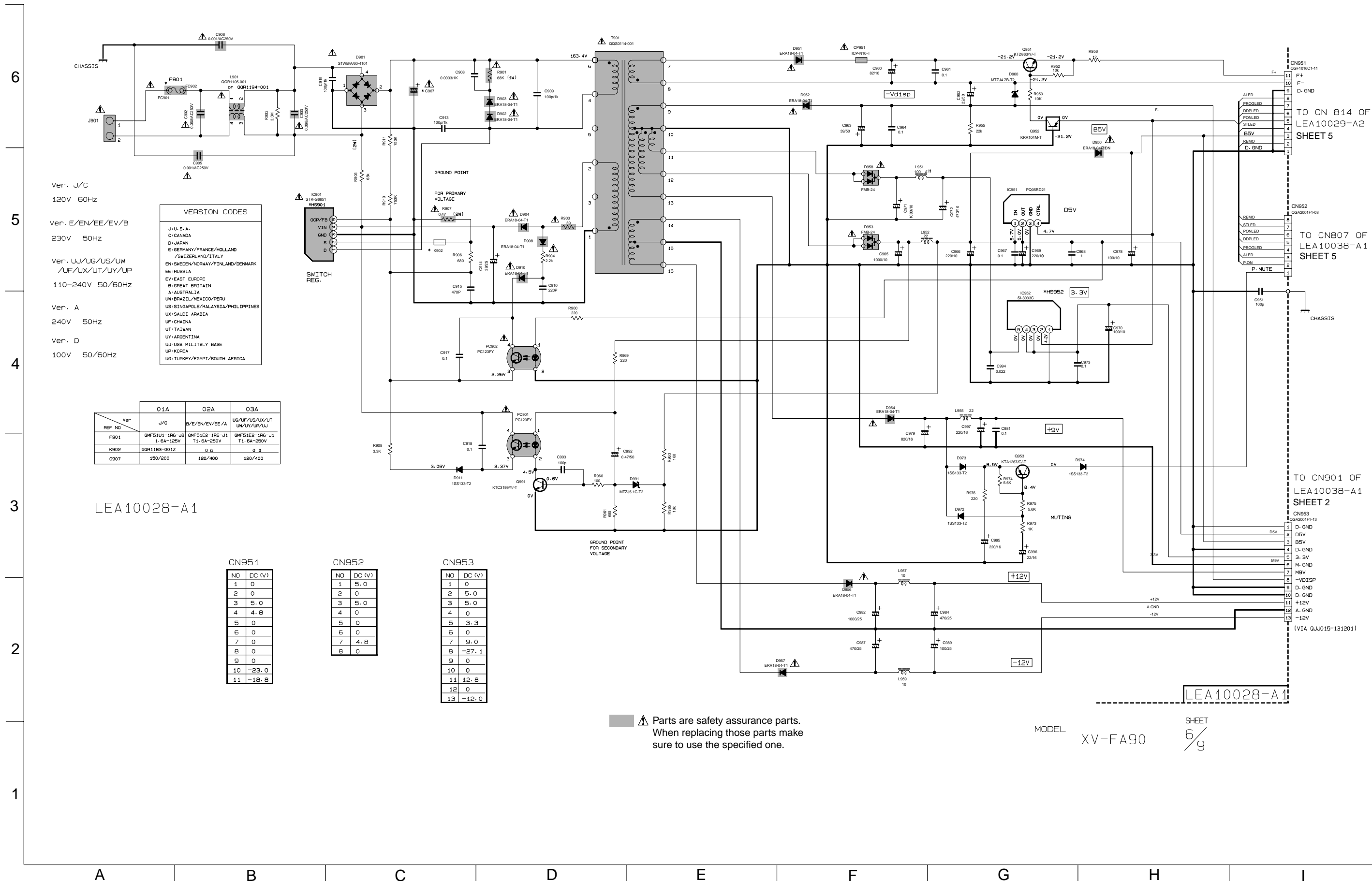
TO CN951 OF SHEET 6

	J	U	E
D814	○	○	×
R838	○	○	×
R839	○	○	×

NO	DC(V)	NO	DC(V)	NO	DC(V)	NO	DC(V)	NO	DC(V)	NO	DC(V)	NO	DC(V)	NO	DC(V)	NO	DC(V)	NO	DC(V)	NO	DC(V)
1	5.0	9	0	17	5.0	25	5.0	33	5.0	41	0	49	0	57	0	65	0	73	0		
2	0	10	0	18	0	26	0	34	0	42	0	50	0	58	0	66	0	74	0		
3	2.7	11	5.0	19	5.0	27	0	35	5.0	43	0	51	0	59	5.0	67	0	75	0		
4	3.1	12	0	20	5.0	28	5.0	36	5.0	44	0	52	0	60	0	68	0	76	0		
5	0	13	5.0	21	1.2	29	0	37	0	45	0	53	0	61	0	69	0	77	0		
6	5.0	14	5.0	22	2.6	30	5.0	38	5.0	46	0	54	0	62	0	70	0	78	0		
7	5.0	15	5.0	23	0	31	5.0	39	0	47	0	55	0	63	0	71	0	79	0		
8	0	16	5.0	24	5.0	32	5.0	40	0	48	0	56	0	64	0	72	0	80	0		

➔ Audio signal
➔ Video signal

Power supply section



Ver. J/C
120V 60Hz

Ver. E/EN/EE/EV/B
230V 50Hz

Ver. UJ/UG/US/UW
/UF/UX/UT/UY/UP
110-240V 50/60Hz

Ver. A
240V 50Hz

Ver. D
100V 50/60Hz

VERSION CODES			
J-U	S. A.		
C	CANADA		
D	JAPAN		
E	GERMANY/France/HOLLAND		
	/SWITZERLAND/ITALY		
EN	SWEDEN/NORWAY/FINLAND/DENMARK		
EE	RUSSIA		
EV	EAST EUROPE		
B	GREAT BRITAIN		
A	AUSTRALIA		
UW	BRAZIL/MEXICO/PERU		
US	SINGAPORE/MALAYSIA/PHILIPPINES		
UX	SAUDI ARABIA		
UF	CHINA		
UT	TAIWAN		
UY	ARGENTINA		
UJ	USA MILITARY BASE		
UP	KOREA		
US	TURKEY/EGYPT/SOUTH AFRICA		

Ver	01A		02A		03A	
	J/C	B/E/EN/EE/EV/A	UG/UF/US/UX/UT	UW/UY/UP/UJ		
F901	QMF51U1-1R6-JB 1.6A-125V	QMF51E2-1R6-J1 T1.6A-250V	QMF51E2-1R6-J1 T1.6A-250V			
K902	QGR11B3-001Z 0 g					
C907	150/200	120/400	120/400			

LEA10028-A1

CN951	
NO	DC (V)
1	0
2	0
3	5.0
4	4.8
5	0
6	0
7	0
8	0
9	0
10	-23.0
11	-18.8

CN952	
NO	DC (V)
1	5.0
2	0
3	5.0
4	0
5	0
6	0
7	4.8
8	0

CN953	
NO	DC (V)
1	0
2	5.0
3	5.0
4	0
5	3.3
6	0
7	9.0
8	-27.1
9	0
10	0
11	12.8
12	0
13	-12.0

Parts are safety assurance parts.
When replacing those parts make
sure to use the specified one.

MODEL XV-FA90

SHEET 6/9

TO CN 814 OF
LEA10029-A2
SHEET 5

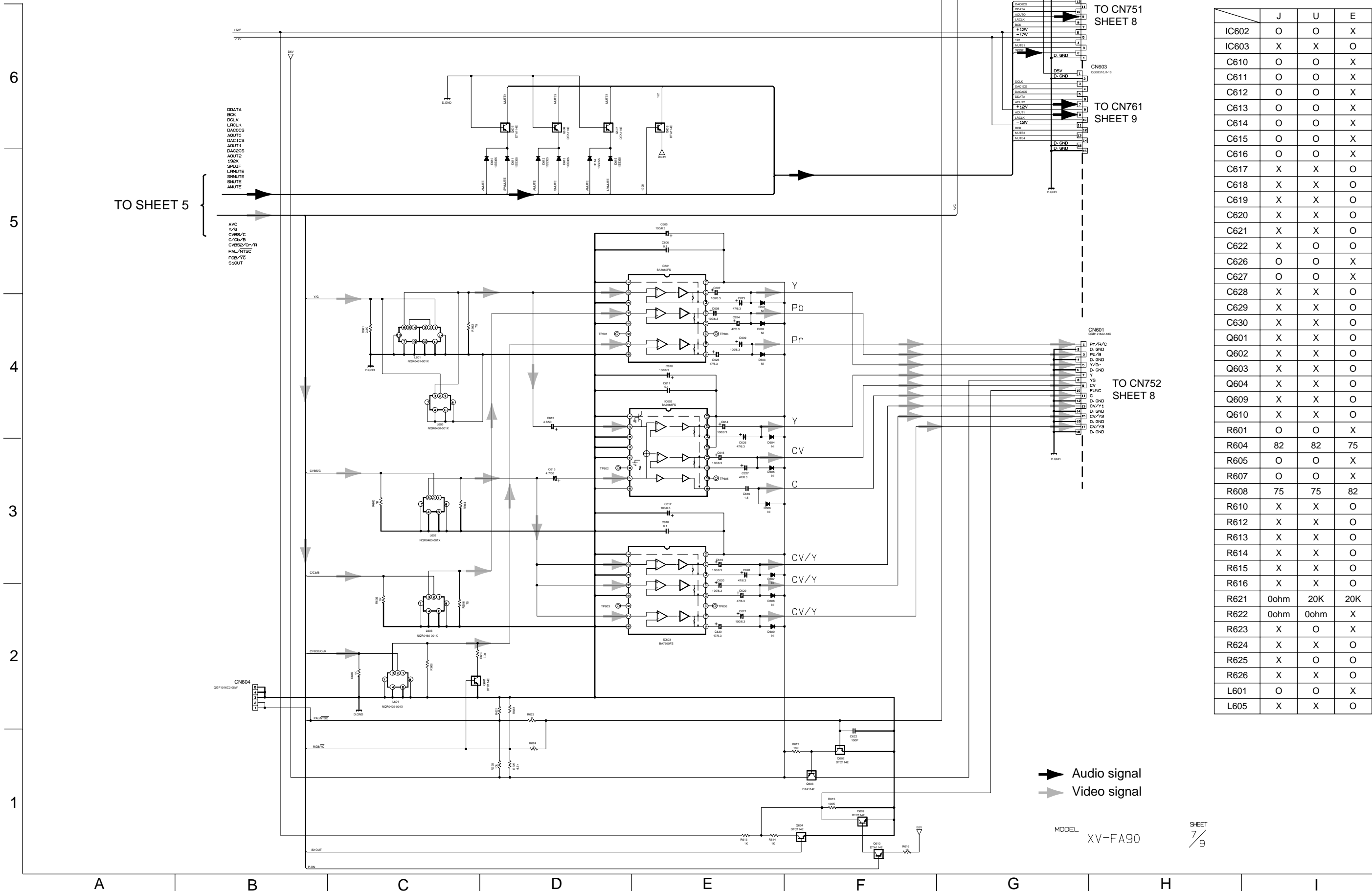
TO CN807 OF
LEA10038-A1
SHEET 5

TO CN901 OF
LEA10038-A1
SHEET 2

TO CN951 OF
LEA10028-A1
SHEET 5

(VIA QJ015-131201)

Video signal driver section



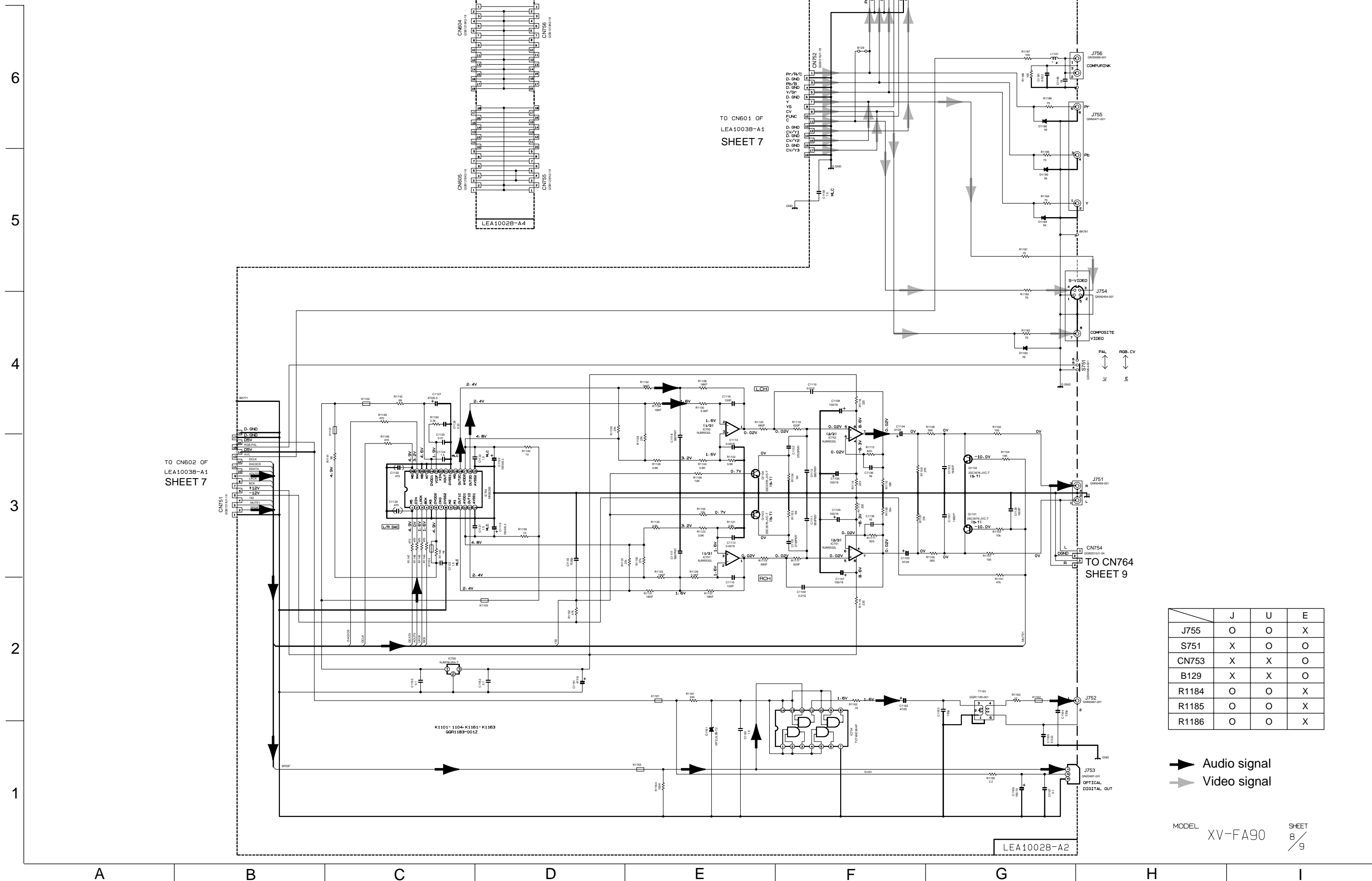
	J	U	E
IC602	O	O	X
IC603	X	X	O
C610	O	O	X
C611	O	O	X
C612	O	O	X
C613	O	O	X
C614	O	O	X
C615	O	O	X
C616	O	O	X
C617	X	X	O
C618	X	X	O
C619	X	X	O
C620	X	X	O
C621	X	X	O
C622	X	O	O
C626	O	O	X
C627	O	O	X
C628	X	X	O
C629	X	X	O
C630	X	X	O
Q601	X	X	O
Q602	X	X	O
Q603	X	X	O
Q604	X	X	O
Q609	X	X	O
Q610	X	X	O
R601	O	O	X
R604	82	82	75
R605	O	O	X
R607	O	O	X
R608	75	75	82
R610	X	X	O
R612	X	X	O
R613	X	X	O
R614	X	X	O
R615	X	X	O
R616	X	X	O
R621	0ohm	20K	20K
R622	0ohm	0ohm	X
R623	X	O	X
R624	X	X	O
R625	X	O	O
R626	X	X	O
L601	O	O	X
L605	X	X	O

➔ Audio signal
➔ Video signal

MODEL XV-FA90

SHEET 7/9

■ Audio / video signal output section

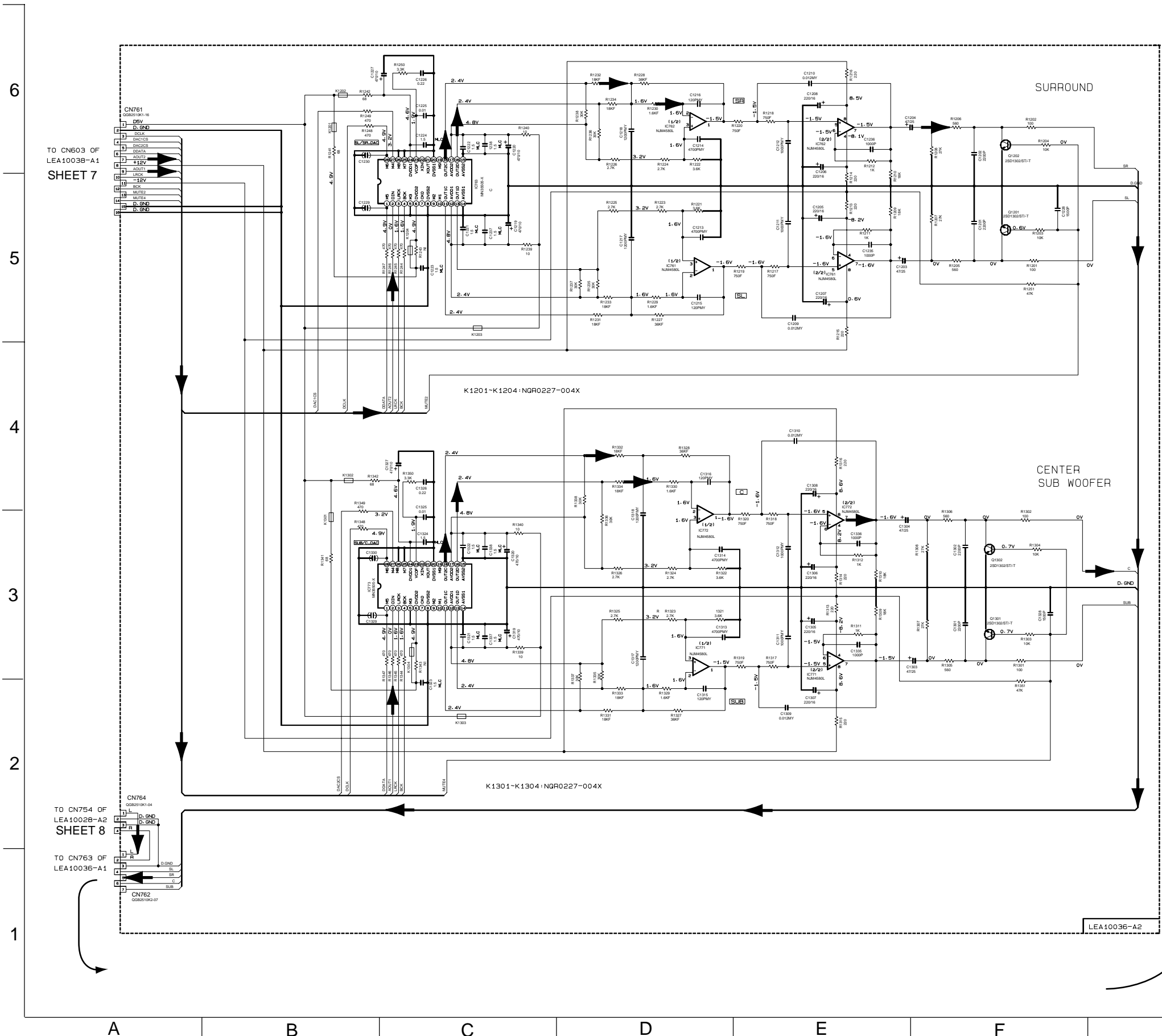


	J	U	E
J755	O	O	X
S751	X	O	O
CN753	X	X	O
B129	X	X	O
R1184	O	O	X
R1185	O	O	X
R1186	O	O	X

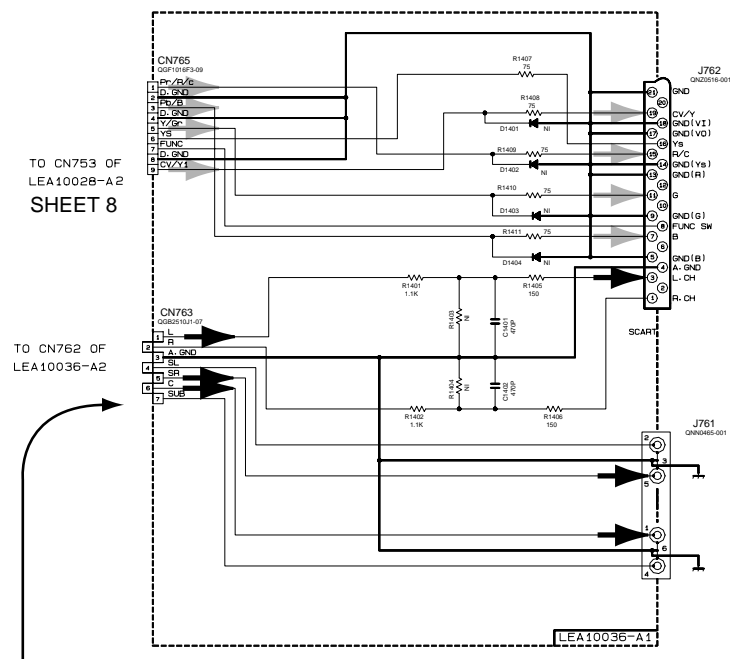
➔ Audio signal
➤ Video signal

MODEL XV-FA90 SHEET 8/9

■ Surround audio signal output section



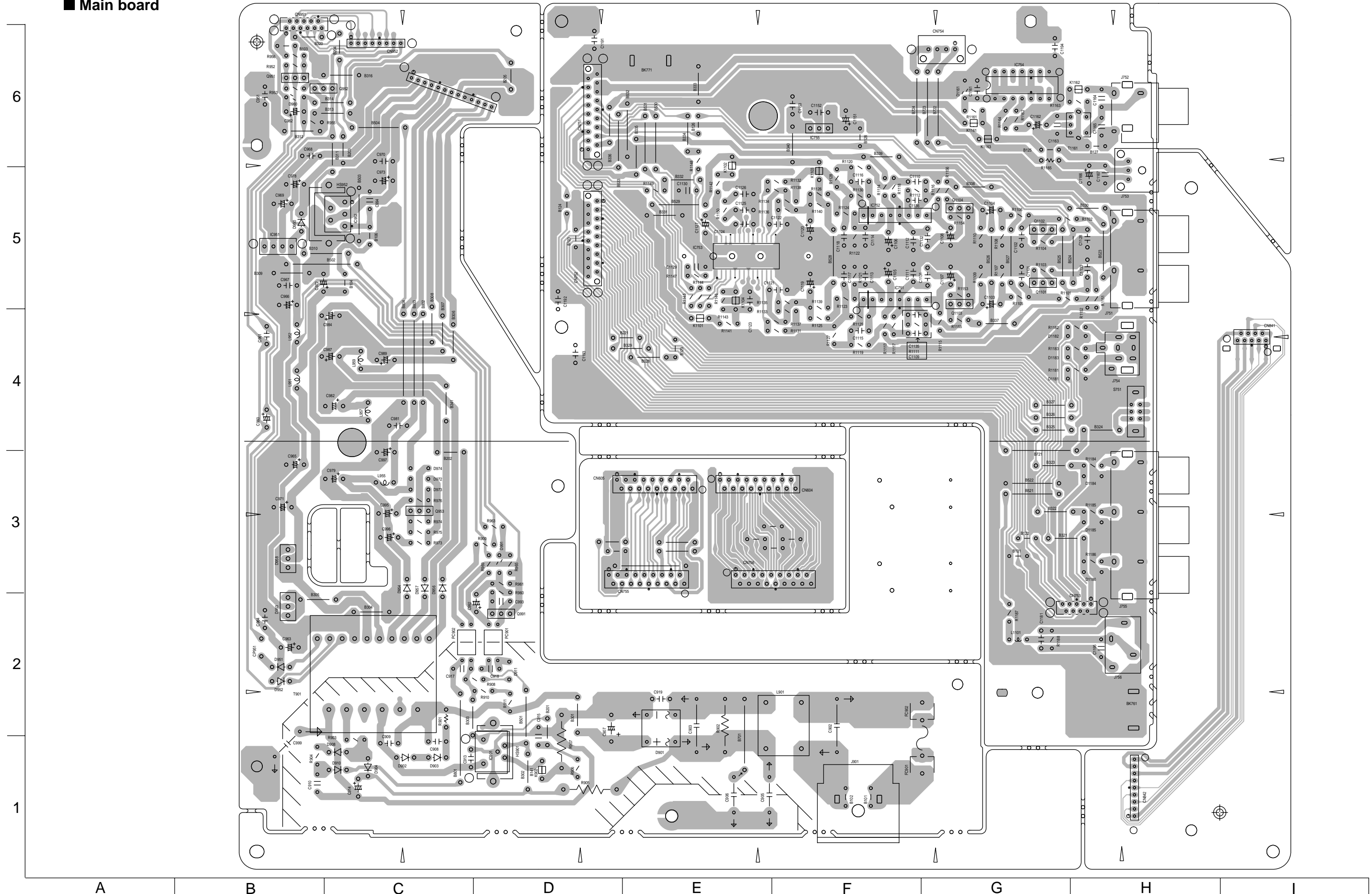
	J	U	E
C1401	X	X	O
C1402	X	X	O
R1401	X	X	O
R1402	X	X	O
R1403	X	X	O
R1404	X	X	O
R1405	X	X	O
R1406	X	X	O
R1407	X	X	O
R1408	X	X	O
R1409	X	X	O
R1410	X	X	O
R1411	X	X	O
J762	X	X	O
CN765	X	X	O



- ➔ Audio signal
- ➔ Video signal

Printed circuit boards

■ Main board

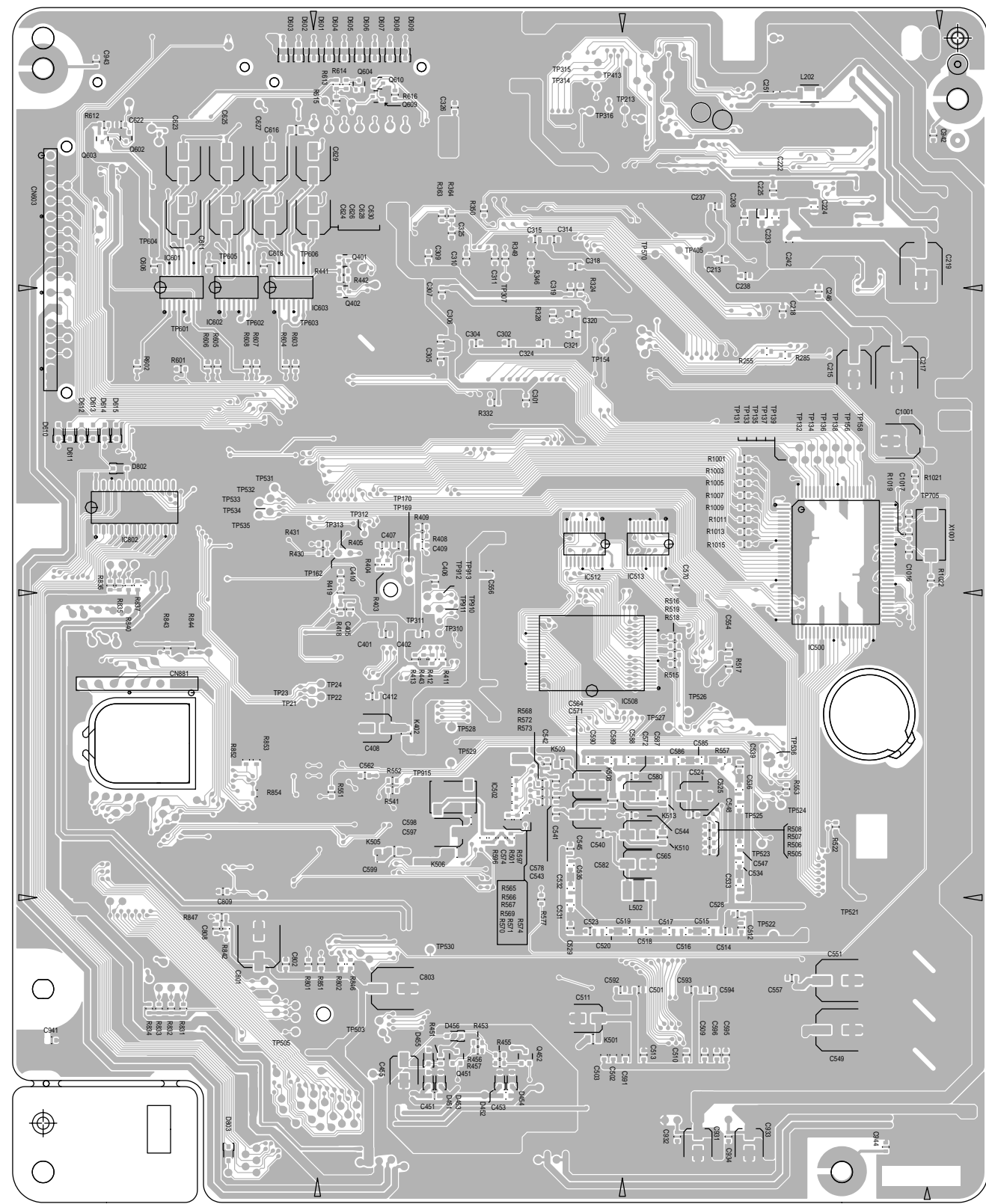
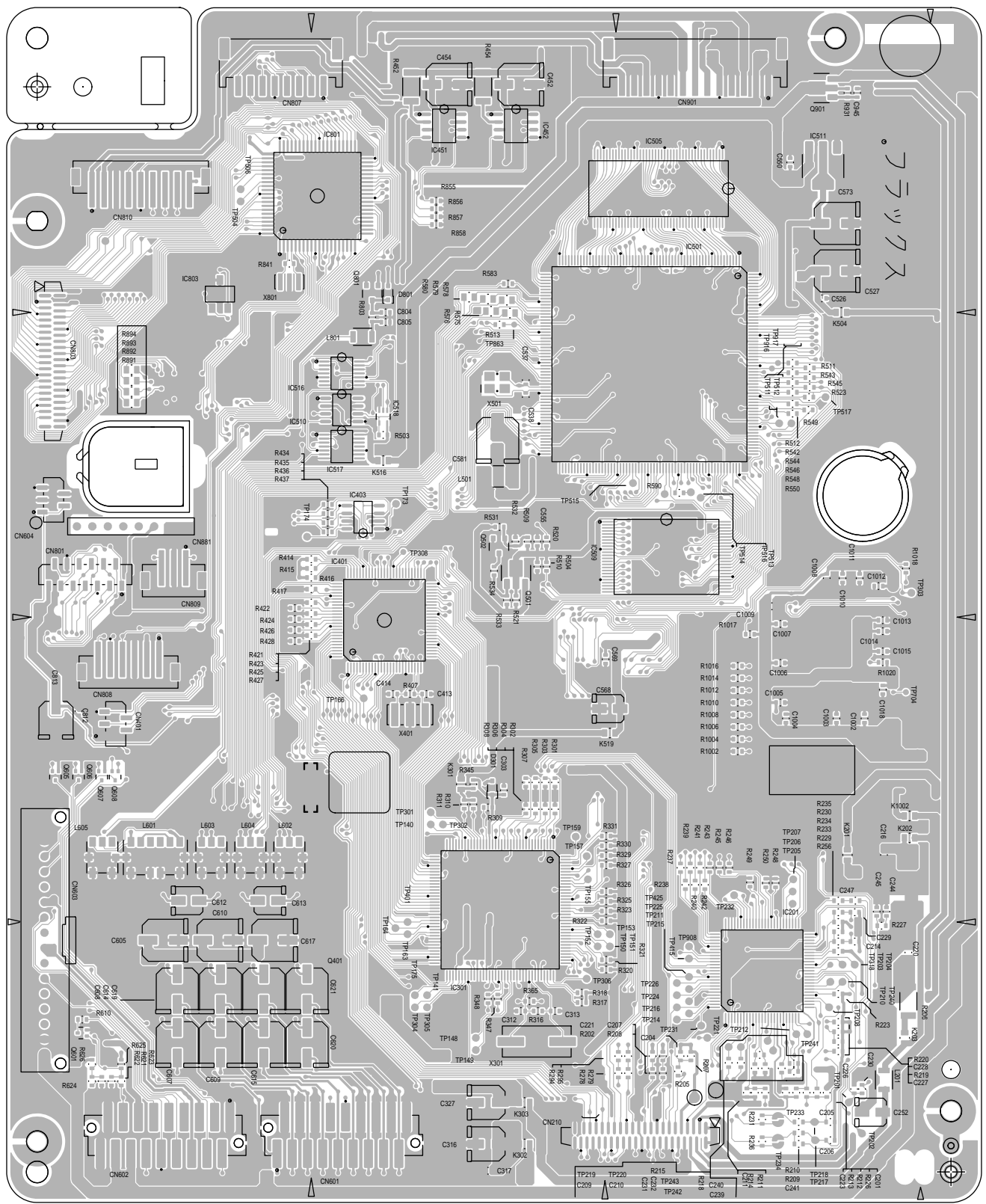


■ Servo control board

6
5
4
3
2
1

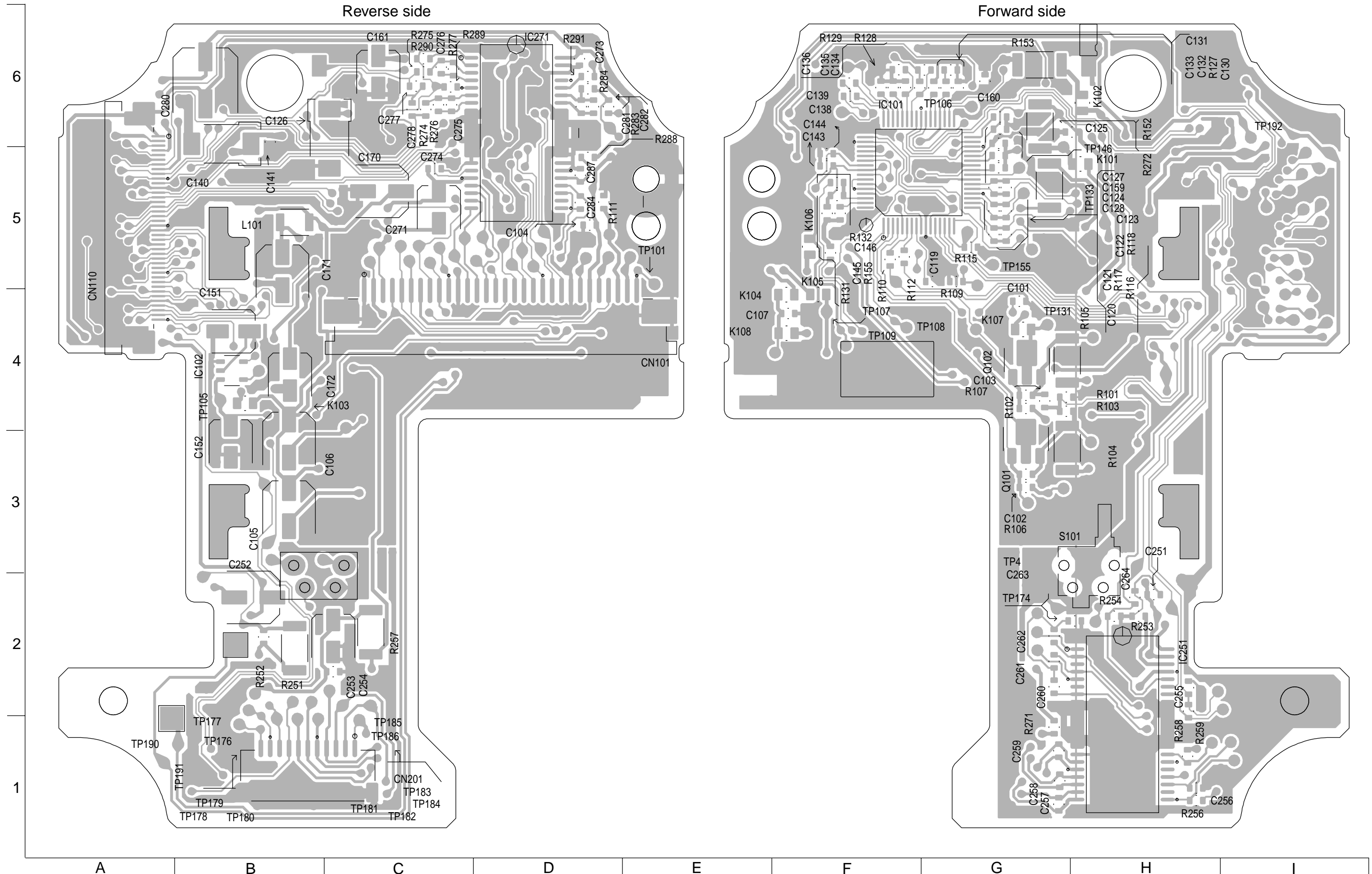
Forward side

Reverse side

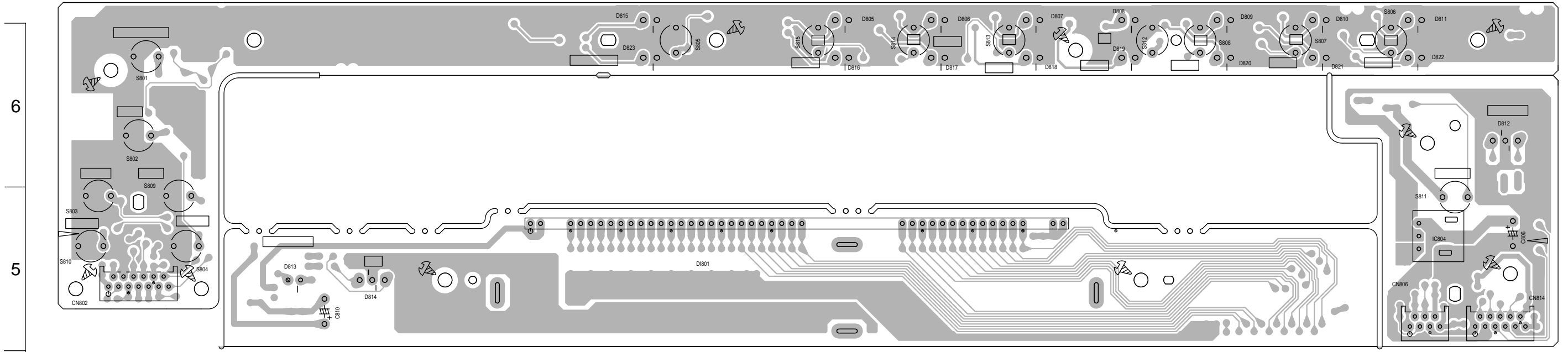


A B C D E F G H I

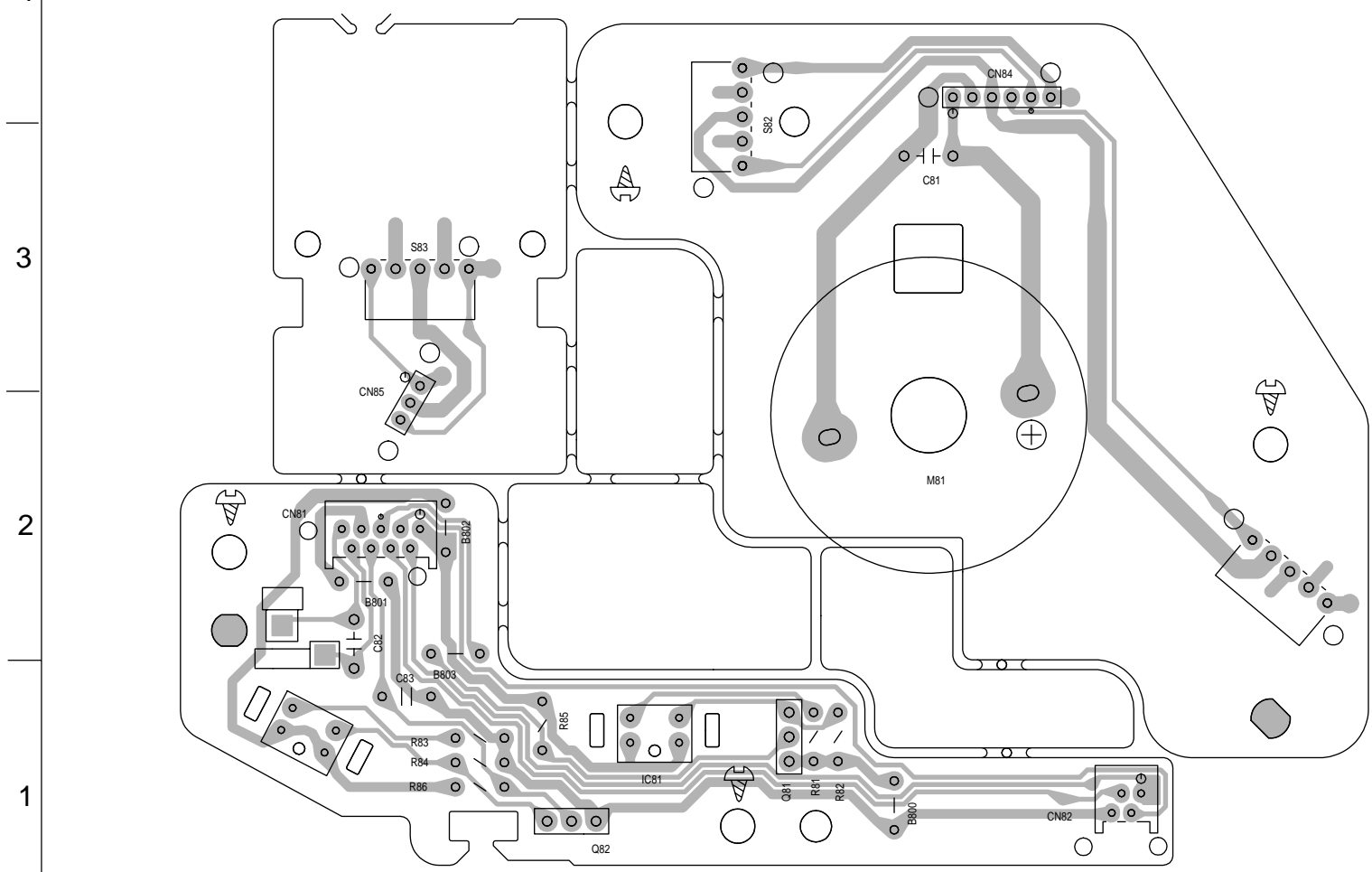
■ Frontend & motor drive section



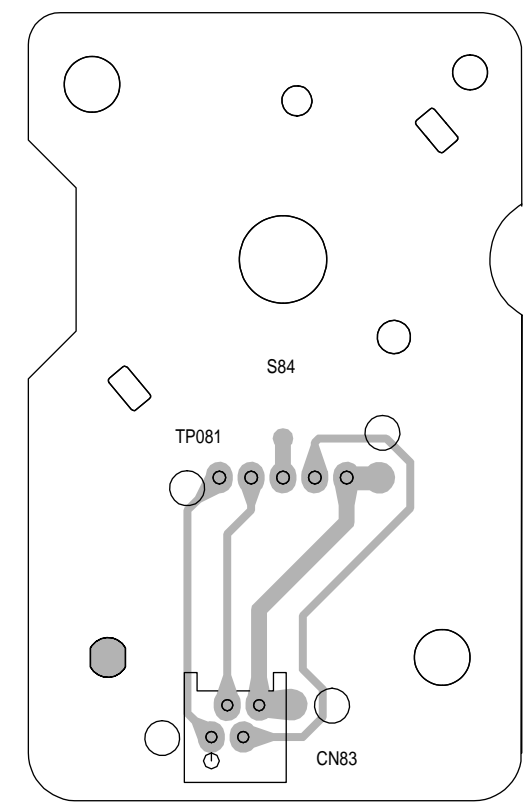
■ Operation switch & FL Display board



■ Motor & detection switch board



■ Cam switch board



■ Surround audio board

